

seeglass pro[®]

Broadening
spaces and views
without limits.





PROTECTION BALUSTRADE



Seeglass PRO protection balustrade in a modern and elegant interior space.

Seeglass PRO innovative design is specifically based on utilizing glass as the principal raw material for its manufacturing.

Combination of two essential elements, high quality structural aluminium along with the certified and tested properties of tempered laminated glass, provide this product with protection against vertical fall and high impact resistance.

This features guarantee a plus in safety for users in case of impact against the balustrade.

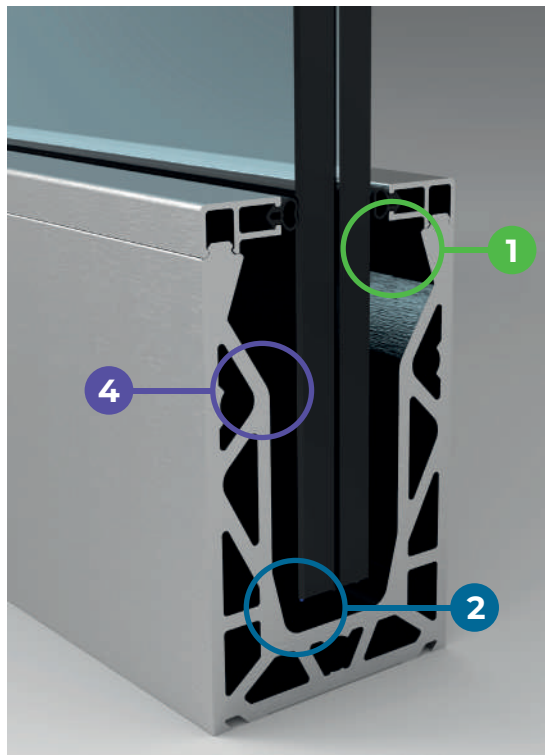
Seeglass PRO is the protection balustrade with safety glass that best fits the current regulation, without affecting building's design.

Traditionally, in buildings and constructions of all sorts, there always are railings made of metal or mural solutions as protective barriers, which do not match façade's esthetic or do not comply with the necessary safety requirements.

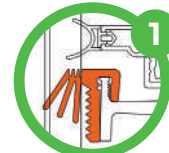


Seeglass PRO protection balustrade in an outdoor space combining design and security.

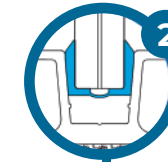
SAFEST OPTION



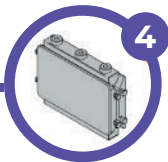
Patented system that surpasses all barrier protection expectations currently existing in the market.



1 Safety and grip
The gasket along the profile distributes the pressure evenly, allowing precise adjustment.



2 Glass fixation
Excellent fixation of the glass. Compensates for differences in floor levels.



4 Adjustment maintaining the grip
The patented adjustment system allows the inclination of the glass to be adjusted, guaranteeing a precise and secure grip on the glass.

Certified and tested

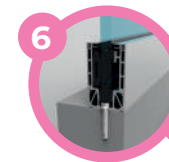
The Seeglass PRO protective barrier has been approved in accordance with the criteria of the UNE 85238 standard and verified in accordance with DB SE-AE of the Technical Building Code.



CTE 3
CÓDIGO TÉCNICO DE LA EDIFICACIÓN
3.0. mlt - 305,03 kg
SISTEMA CALIFICACIÓN



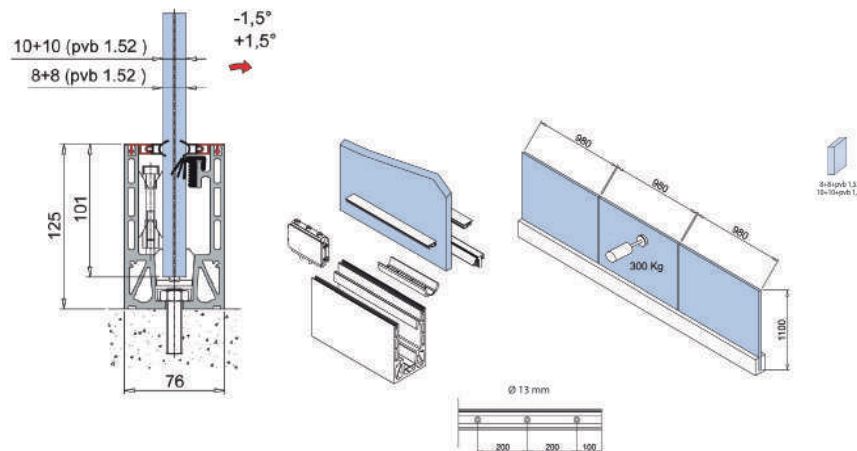
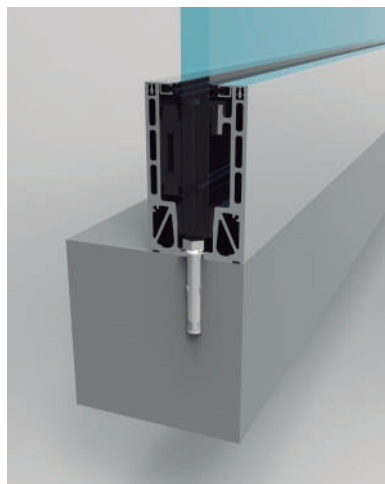
5 Safety during installation
The Seeglass PRO crash barrier is installed without the need for scaffolding. The glass can only be adjusted and fixed from the inside.



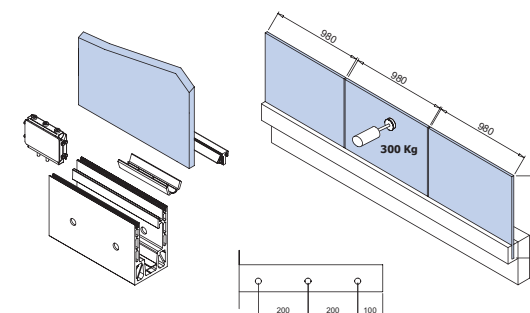
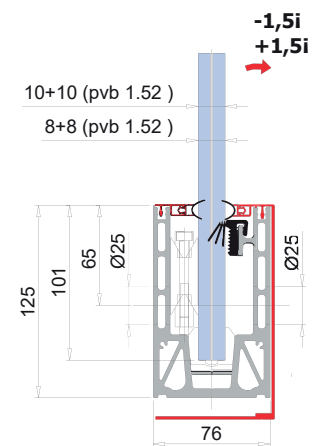
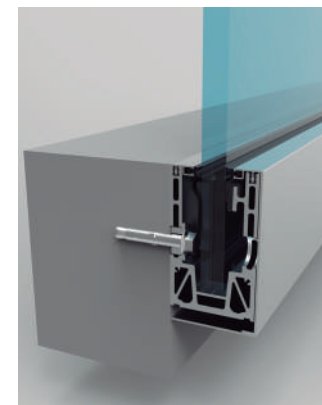
6 Variety of configurations
The variety of models allows us to adapt to all installation possibilities.



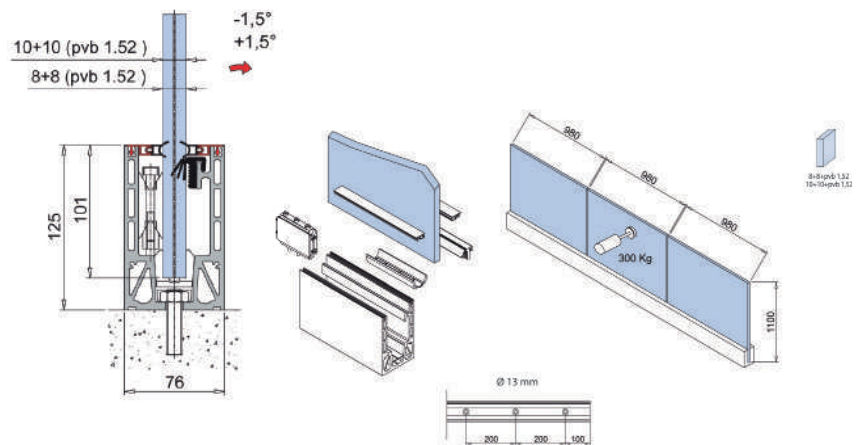
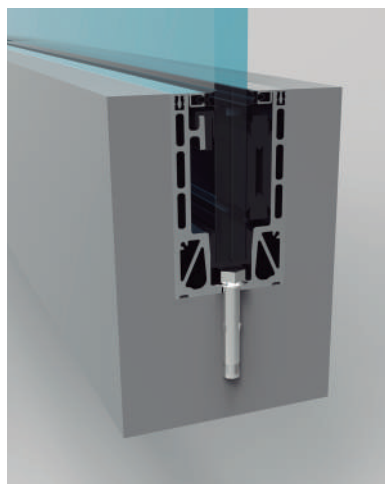
SEEGGLASS PRO ANCHORED TO FLOOR



FRONTAL SEEGGLASS PRO



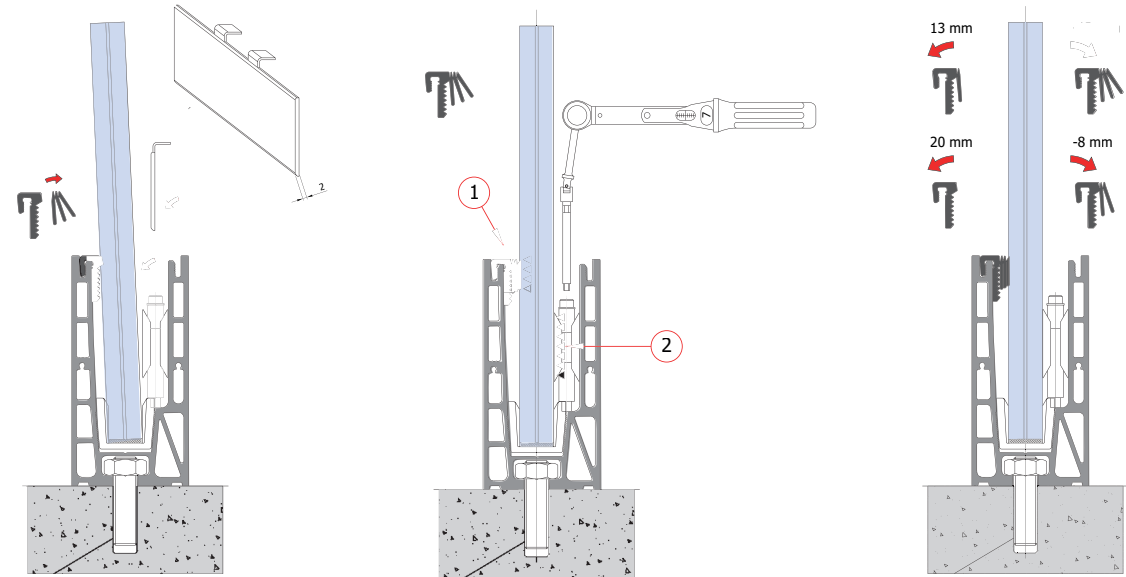
EMBEDDED SEEGGLASS PRO



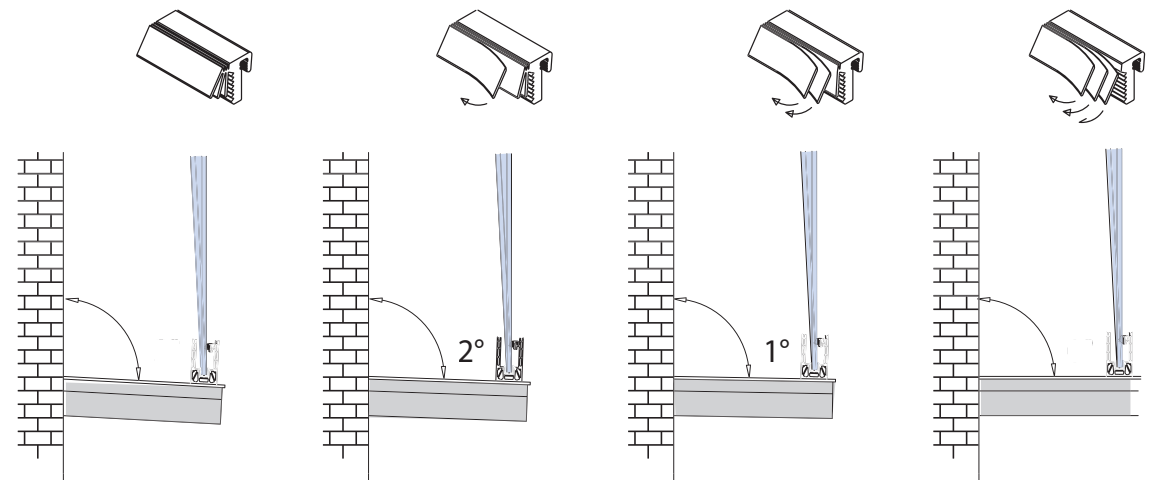
REGULATION/GLASS ALIGNMENT

Glass level compensation is managed by adjusting the clamp, located only at the bottom of the balustrade, making the fixing and regulation process faster and more secure than in any other protection system in the market.

We can adjust the inclination of the glass by $\pm 1.5^\circ$, which allows us to adapt to any unevenness that may arise at the base of the protection barrier installation.



Tightening torque of the regulation kit must be of 7 Nm. If 1, 2 or the 3 sheets are removed from the fixing board, it is mandatory to adjust again the tightening torque of the pressure regulation kit.



HANDRAILS SERIE



With the new **Seeglass PRO**, adjustable handrails we are able to incorporate a system over the protection barrier with ease, thanks to its lower regulation mechanism.

In addition, we will manage to completely close your terrace, minimizing visual impact.

Seeglass PRO set along with our range of glazing systems, has been tested under the following regulations:

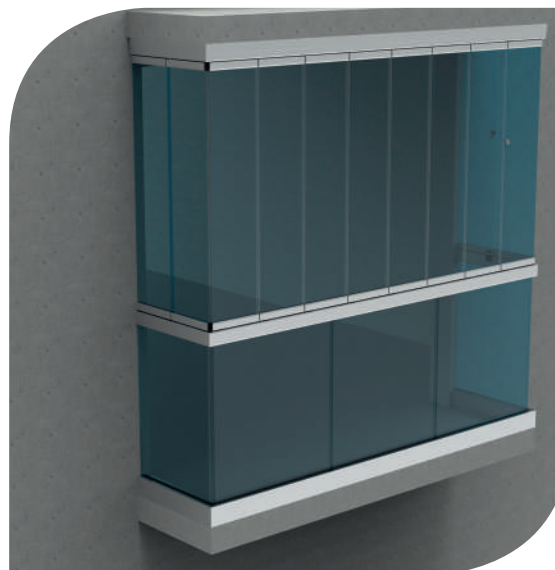
Air permeability: Regulation UNE-EN 1026:2000

Wind load resistance: UNE-EN 1932:2001 Erratum:2011

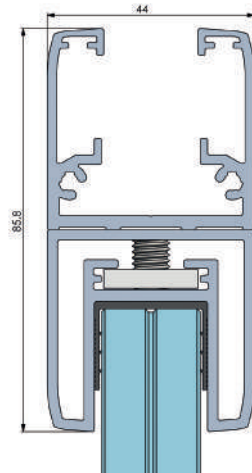
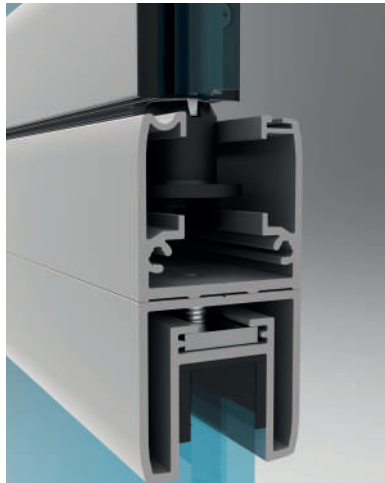
Performance requirements, including safety: UNE-EN13659:2004+A1:2009

Water removal: UNE-EN 1027:2000

**Consult results on <https://www.c3systems.es/en/certify-quality>*

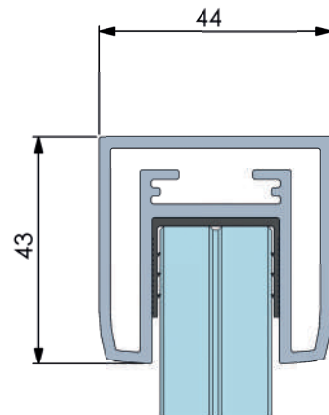


ADAPTABLE HANDRAIL seeglass one



Adaptable handrail next to the lower profile of Seeglass glazing systems, for a simple installation and a final finish aligned with the system.

ADJUSTABLE HANDRAIL

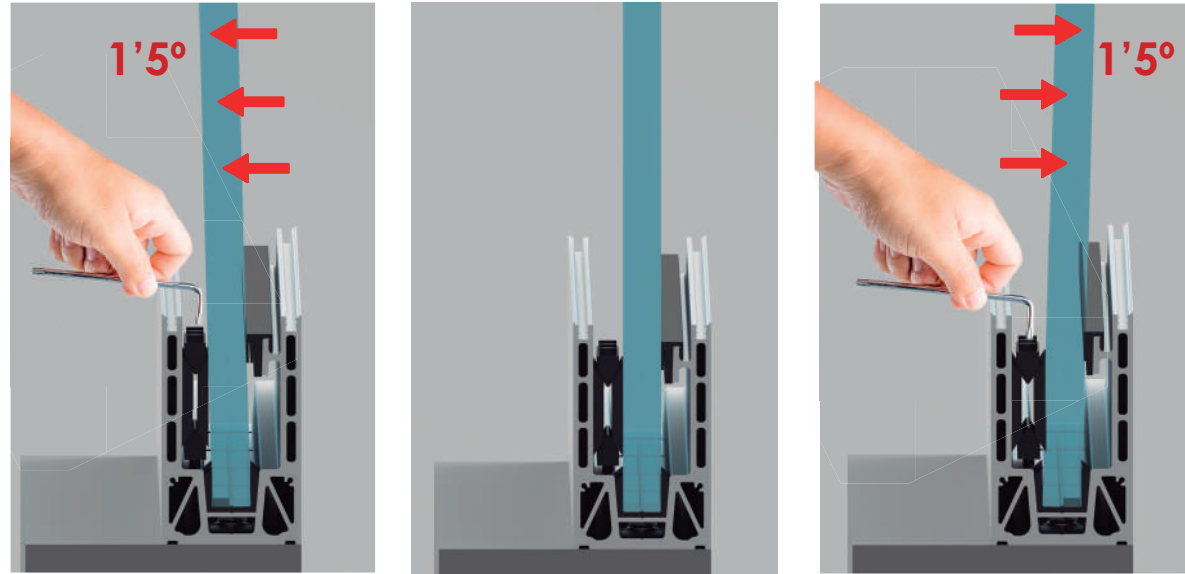


Adjustable handrail with square geometry for a termination of the protective barrier without system on the upper part.

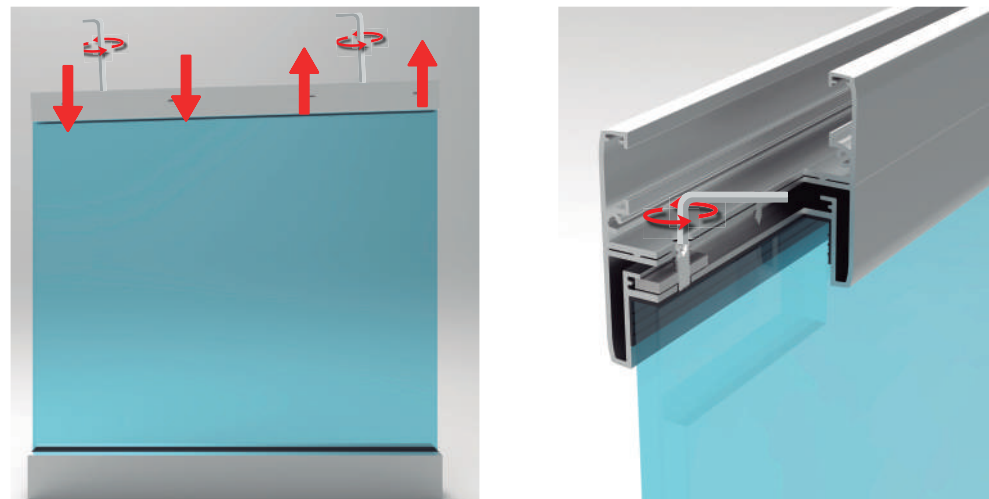
2-Step Installation



- 1** Align glass lead through pressure kit and fixing board.

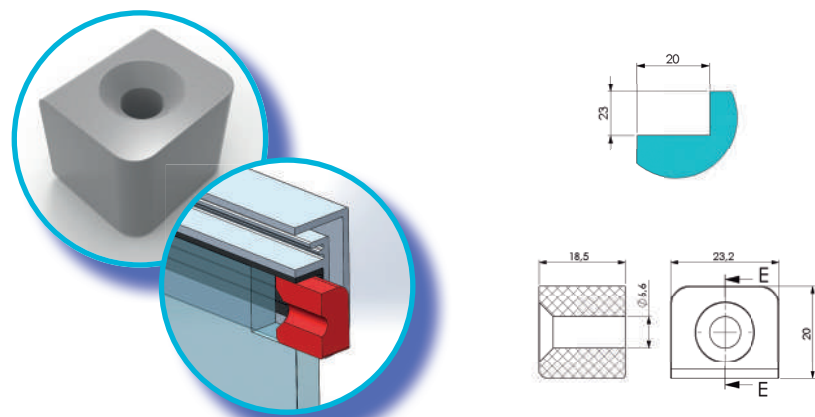


- 2** Assemble the set of adjustable handrails and systems' superior profile and adjust to achieve the perfect level.



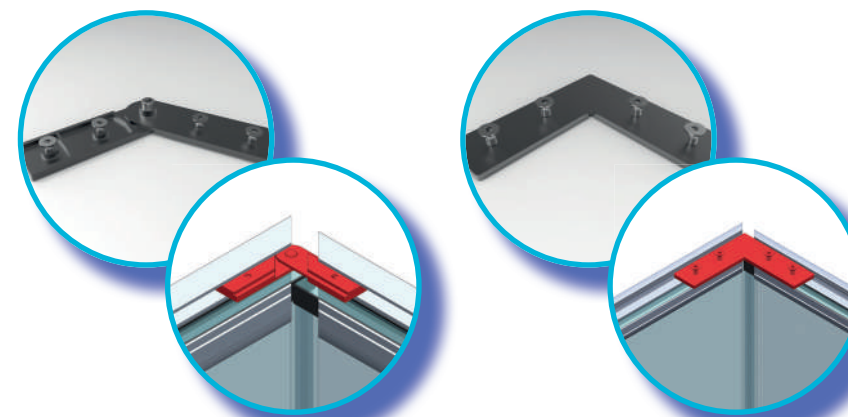
WALL SUPPORT FOR SQUARE HANDRAILS

It allows handrails fixing to the wall.
Code: 2206 - Material: Gray poliamide



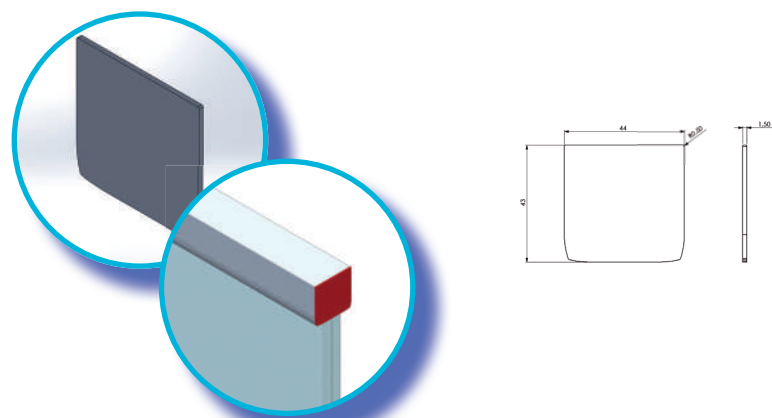
ADJUSTABLE ALIGNMENT BRACKET FOR HANDRAILS

It allows perfect alignment in sections with angles of 90° for fixed trim, and for angles of 85° to 180° for adjustable trim.



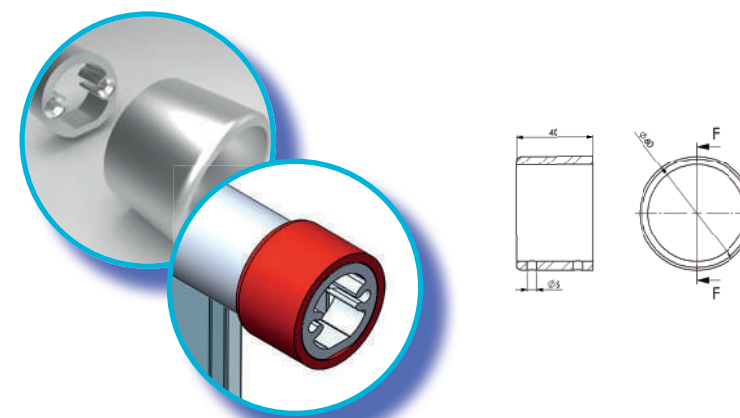
LATERAL TRIM FOR SQUARE HANDRAILS

Code: 2260
Finish: Aluminum finished in gr silver and stainless steel imitation.



WALL SUPPORT FOR ROUND HANDRAILS

Code: 2038
Finish: Aluminum finished in white, anodizing silver and stainless steel imitation.

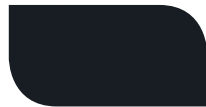




Seeglass PRO is available in all finishes and colors.
Stock colors:



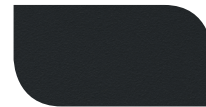
WHITE



9011 MATT



7011



7016 TX



7016 MATT



1013



8014



6009



7022



ANODIZ.
SILVER MATT



Check availability, price and delivery time for other finishes Letter RAL, anodized and Imitation Wood

The aluminum profiles used to manufacture these articles comply with:

ALLOYS

- UNE EN 12020-1
- UNE-EN 573-3
- UNE-EN 755-2.

LACQUERED SURFACE TREATMENT

The lacquered profiles are treated in approved facilities for the coating of architectural surfaces, in compliance with the specifications of the Quality Mark Guidelines.



Why should we use aluminum for the enclosures of the future? **FOR ITS ENVIRONMENTAL ADVANTAGE**

- It is the only material used in enclosures that is 100% recyclable and reusable an infinite number of times.*
- It is the only one that is 100% sustainable and is effectively recycled.*
- The mineral with which it is produced is practically inexhaustible.*
- It is the only one that promotes the circular economy 100%.*



APPROVALS AND TESTS

Seeglass PRO has test certificates in an approved laboratory, established by national and international legal regulations, issued by the corresponding certification companies.

This certification assures that choosing C3 Systems, S.L. products you are purchasing a quality product with all the necessary guarantees.

MAXIMUM QUALIFICATION IN TEST*

TEST ACCORDING TO STANDARD 85 238:91			
Horizontal outward static test	Complies	Soft-body dynamic test	Complies
Horizontal inward static test	Complies	Hard body dynamic test	Complies
Vertical static test	Complies	Safety test	Complies

***Tested at dimensions (2000x125x76mm)**



CE Marking

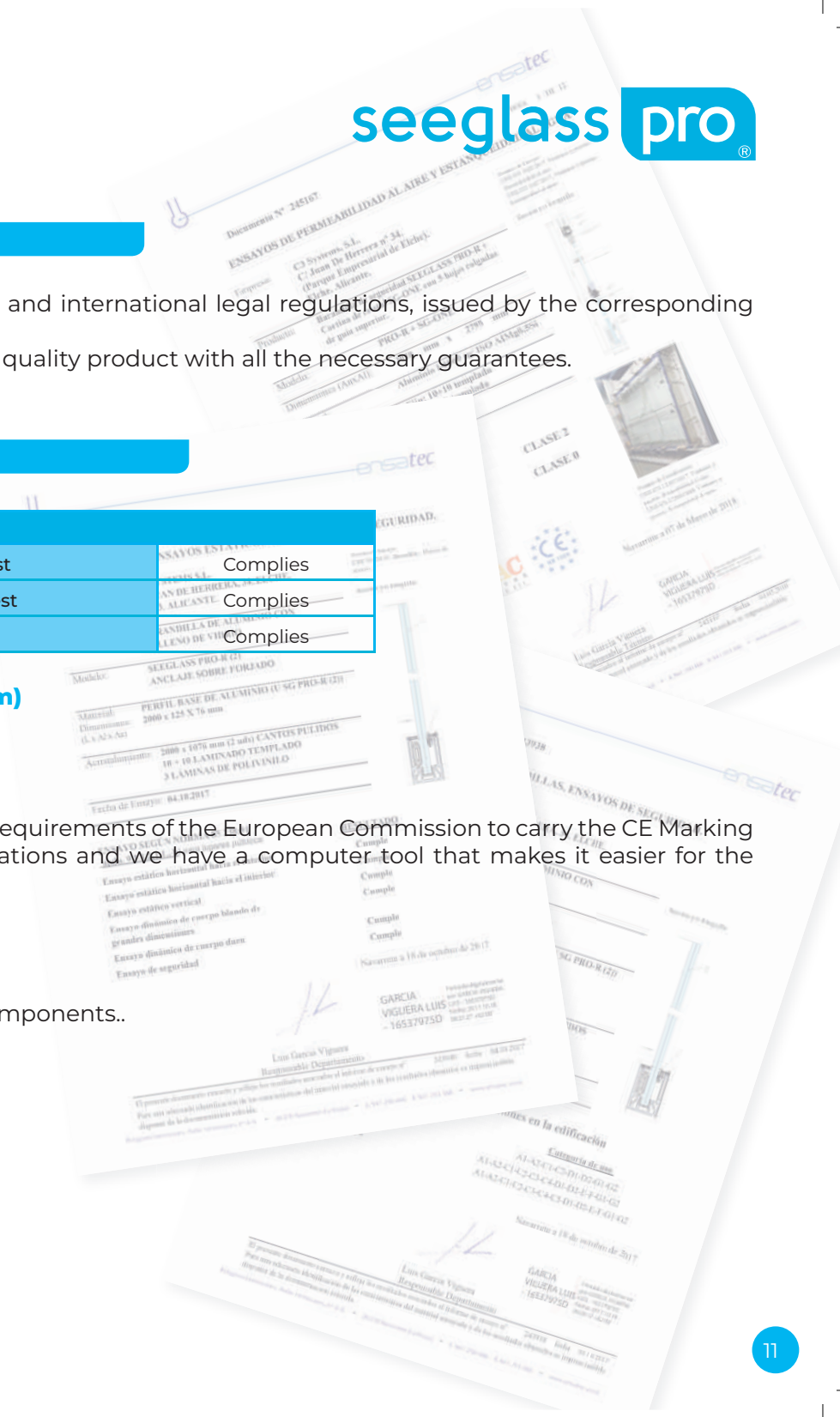
All our systems are approved by an official laboratory and comply with the requirements of the European Commission to carry the CE Marking seal. We have all the tests and certificates that comply with these regulations and we have a computer tool that makes it easier for the workshop to obtain this label.



Quality guarantee*

The legal/commercial warranty period for Seeglass PRO is 3 years for all components.

*(Consult conditions of sale).





MADE IN SPAIN



C3 Systems, S.L. · C/ Ibi, 13 · P. I. Cachapets 03330 Crevillente (Alicante) España
Telf. +34 966 286 186

www.c3systems.es



ED. 5 - 2024

The purpose of this document is for commercial purpose. It does not constitute an authentic advertising offer in "strict sense". For the official offer, please contact C3 Systems S.L. in order to receive specific and personalized information that contains objective information regarding relevant characteristics which means that it will constitute an offer in a "strict sense".

C3 Systems S.L. commits not to make misleading advertising by this means. To these effects, therefore, formal or numerical errors that could be found in the content of this document are not considered as misleading advertising, in particular regarding to the image accompanying in an illustrative way, and not contractual. In any case C3 Systems S.L. commits to correct it as soon as it becomes aware of such errors.