

**Document N° 232213****TEST OF DETERMINATION OF THE ACOUSTIC ISOLATION
TO THE AIR NOISE**

Norm of Test::
UNE-EN ISO 10140-2:2011
Acoustics. Measurement in
laboratory of the acoustic
isolation of the elements of
construction. Part 2:
Measurement of the acoustic
isolation to the air noise.

Section and / or photography

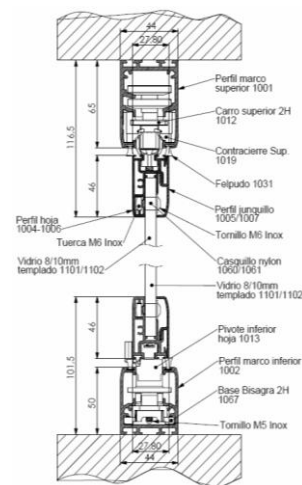


Petitioner	C3 SYSTEMS, S.L. C/ Juan de Herrera n° 34. Elche. Alicante.
Product	Glazed closing without vertical profiles.
Manufacturer Model	C3 SYSTEMS, S.L. Series: SEEGLASS ONE.
Dimensions (Width x Height)	1190mm x 1432mm
Material	Aluminium
Glass	Moderated of 8 mm of thickness
Date of Test	22.10.2012

Index of Sonorous Reduction R_w ($C;C_{tr}$)**26 (0;-2) dB**

Notified N° 1668

Organism



Navarrete on October 25, 2012

Luis García Viguera
Technical person in charge

The present document summarizes and reflects the results associated with the report of test n° 232213.
For a suitable identification of the characteristics of the tested material and of the obtained results it is indispensable to have the above-mentioned documentation.
Informative document submitted to the written report Spanish.