

Customer Service
966.286.186

presupuestos@c3systems.es

Order Offer

To be filled by C3 Systems

Date _____ Order N°: _____

Name _____

City _____ Cell Phone _____

Phone _____ Fax _____

Reference: _____

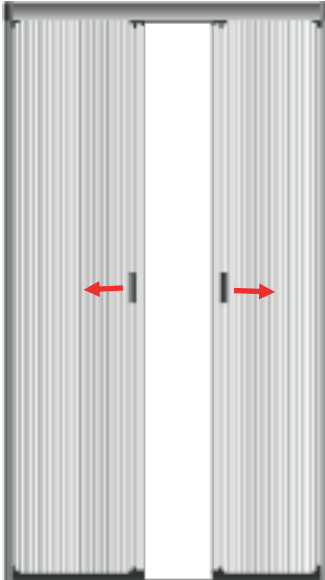
PLEATED INSECT SCREEN CENTRAL OPENING

| QUANTITY | WIDTH | HEIGHT | COLOUR | TYPE OF LOWER PROFILE | |
|----------|-------|--------|--------|--------------------------|--------------------------|
| | | | | 4 mm | 8 mm |
| | | | | <input type="checkbox"/> | <input type="checkbox"/> |
| | | | | <input type="checkbox"/> | <input type="checkbox"/> |
| | | | | <input type="checkbox"/> | <input type="checkbox"/> |
| | | | | <input type="checkbox"/> | <input type="checkbox"/> |
| | | | | <input type="checkbox"/> | <input type="checkbox"/> |
| | | | | <input type="checkbox"/> | <input type="checkbox"/> |
| | | | | <input type="checkbox"/> | <input type="checkbox"/> |
| | | | | <input type="checkbox"/> | <input type="checkbox"/> |
| | | | | <input type="checkbox"/> | <input type="checkbox"/> |
| | | | | <input type="checkbox"/> | <input type="checkbox"/> |

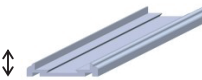
CHARACTERISTICS

MAXIMUM WIDTH 6000 mm.


MAXIMUM HEIGHT 3000 mm.



TYPES OF LOWER PROFILE



4 mm.



8 mm.

Transport and packaging

Packed Transport agency _____

Not packed To pick up personally To notify

Stamp and/or signature