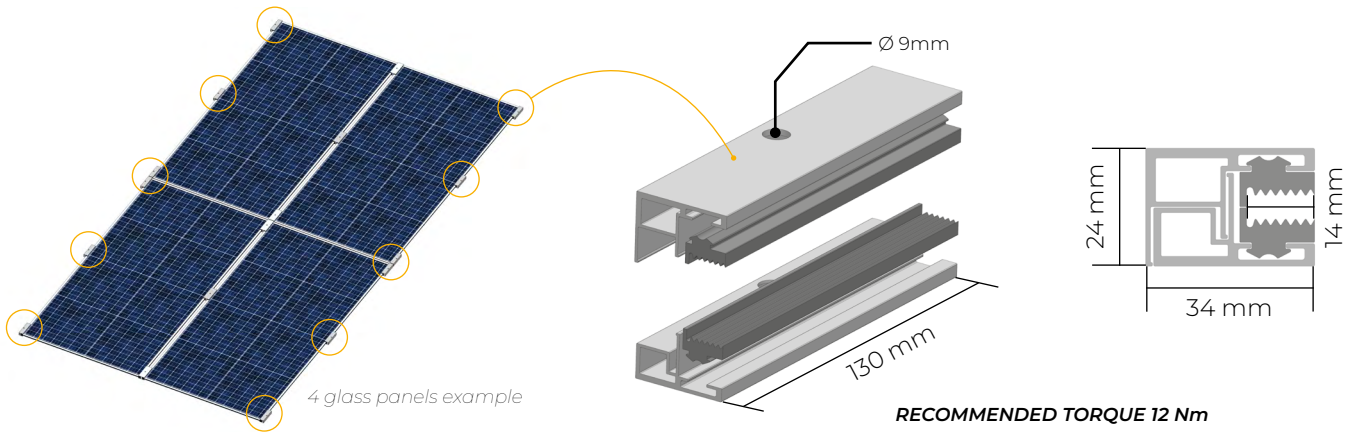


ARTICLES PRICE LIST



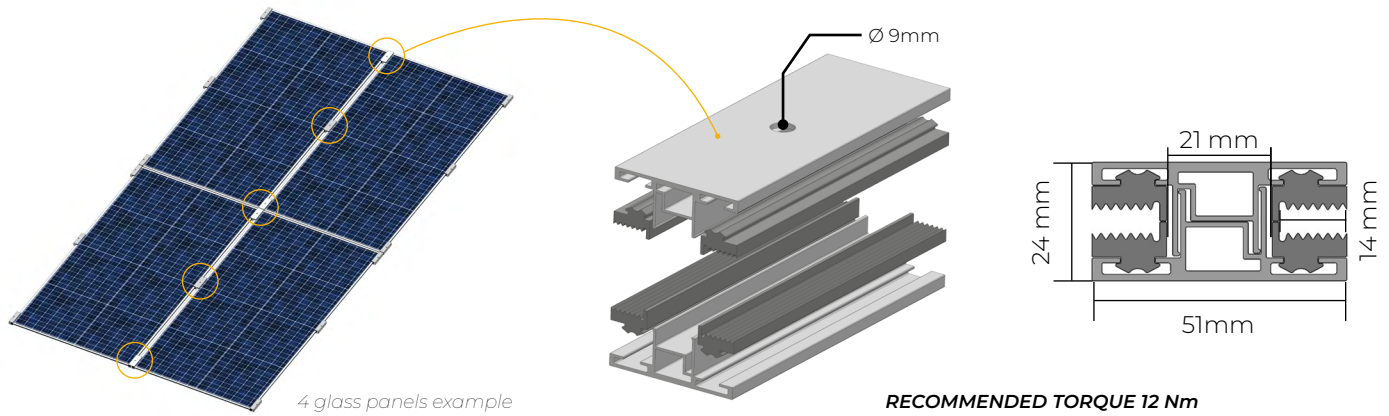
SIMPLE CLAMP KIT



Code	Glass thickness	Dimensions	Finishes	Qty./box
6940	8 mm	130 mm	Raw	15 un.
			RAL 5004 Matt	15 un.

It is the installer's responsibility to decide on the number of clamps to be fitted and the distance between them.

DOUBLE CLAMP KIT



Code	Glass thickness	Dimensions	Finishes	Qty./box
6941	8 mm	130 mm	Raw	50 un.
			RAL 5004 Matt	50 un.

It is the installer's responsibility to decide on the number of clamps to be fitted and the distance between them.

ALUMINIUM ALLOYS

Standard UNE EN 12020-1 - Extruded aluminium alloy 6063 and heat treatment T6 - Complies with Standard UNE-EN 573-3 - Standard UNE-EN 755-2.

STRAIGHT LIP WEATHERSTRIP - EPDM

EPDM rubber is abrasion and wear resistant.

For frameless photovoltaic modules

Available in both single kits and 6,500mm long assemblies.

Completely pre-assembled

Material: Aluminium

Suitable for lateral and central assembly

Material is supplied without screws and with bore holes

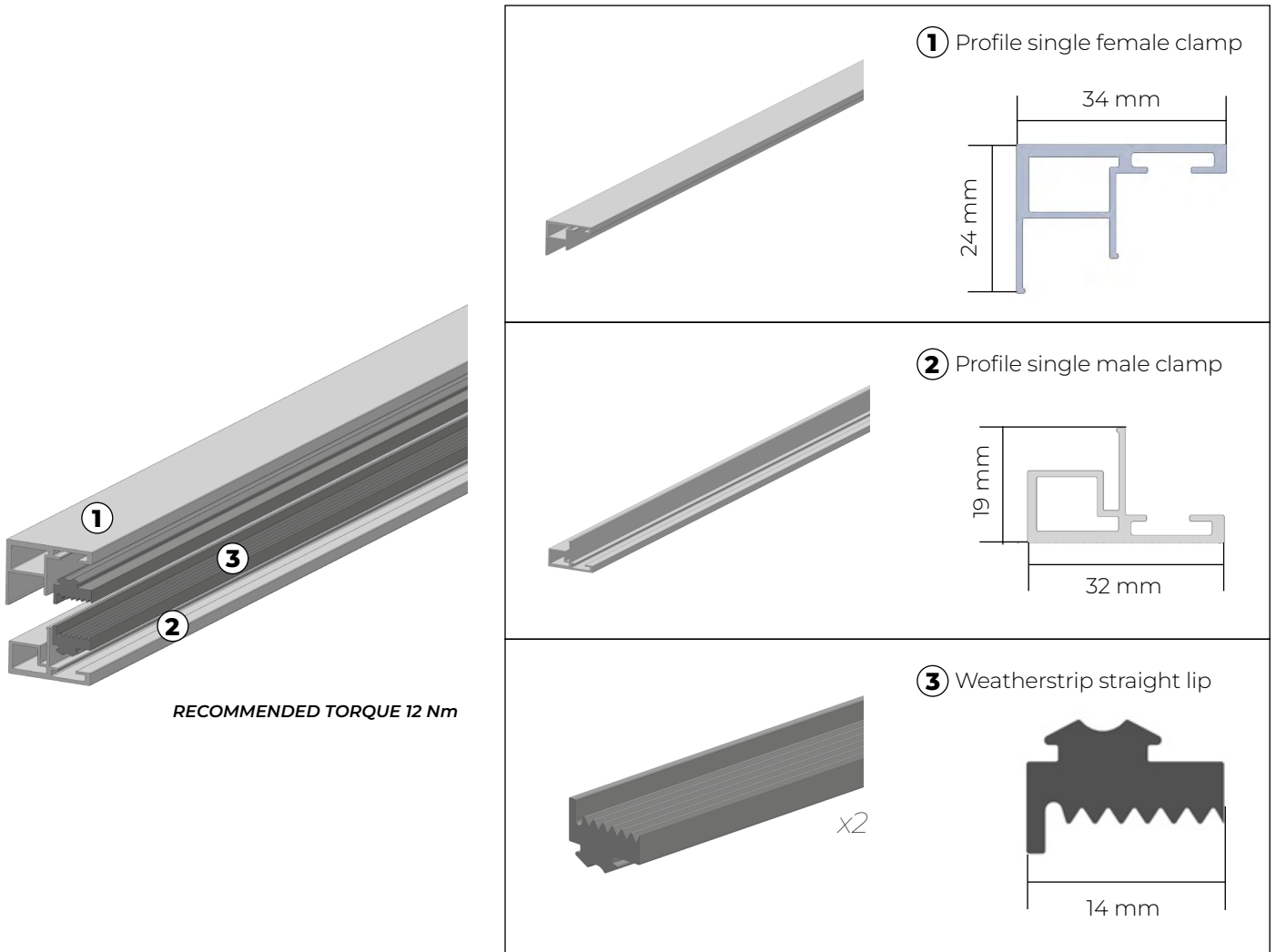
Certified by: Qualanod, Qualideco, Qualicoat





CLAMP PROFILE SETS

A SIMPLE CLAMP PROFILE SET ON BARS

Cod. 6942



Cod.	Dimensions	Finishes
6942	*6500 mm	 Raw
		 RAL 5004 Matt

Uns./packing
4 bars
4 bars

*The maximum usable length may be less than the bar length, by 50-150mm, due to the blunting by extrusion marks and/or lacquering.

ALUMINIUM ALLOYS

Standard UNE EN 12020-1 - Extruded aluminium alloy 6063 and heat treatment T6 - Complies with Standard UNE-EN 573-3 - Standard UNE-EN 755-2.

STRAIGHT LIP WEATHERSTRIP - EPDM

EPDM rubber is abrasion and wear resistant.

For frameless photovoltaic modules

Available in both single kits and 6,500mm long assemblies.

Completely pre-assembled

Material: Aluminium

Suitable for lateral and central assembly

Material is supplied without screws and with bore holes

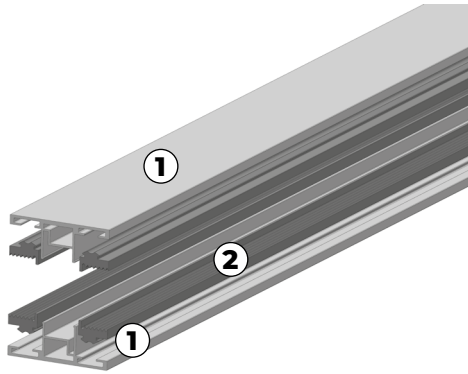
Certified by: Qualanod, Qualideco, Qualicoat



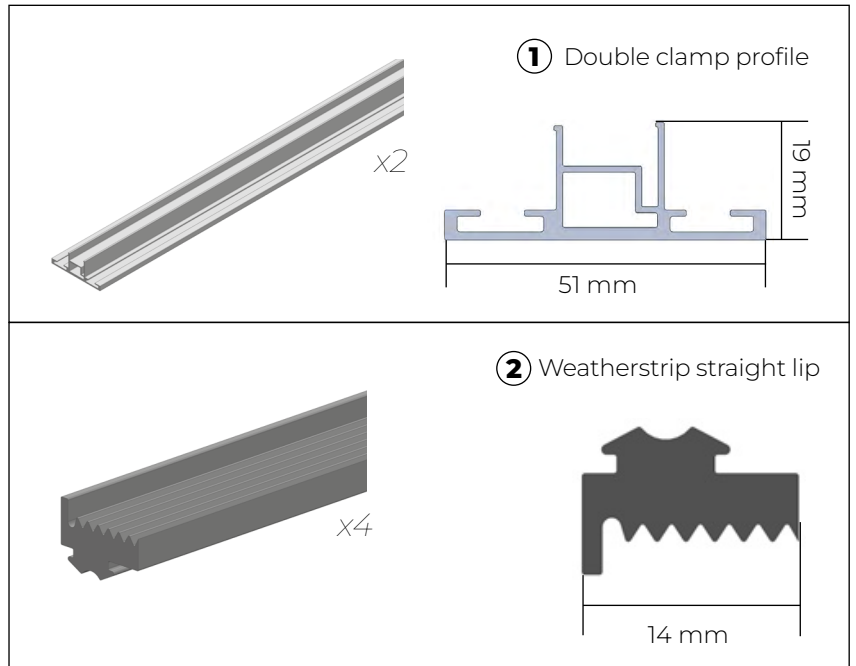
CLAMP PROFILE SETS

B DOUBLE CLAMP PROFILE SET ON BARS

Cod. 6943



RECOMMENDED TORQUE 12 Nm



Cod.	Dimensions	Finishes
6943	*6500 mm	Raw
		RAL 5004 Matt

Un./packing
4 bars
4 bars

*The maximum usable length may be less than the bar length, by 50-150mm, due to the blunting by extrusion marks and/or lacquering.

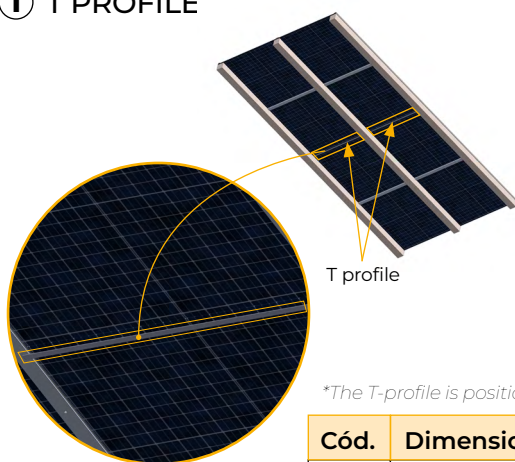
STRAIGHT LIP WEATHERSTRIP - EPDM
EPDM rubber is abrasion and wear resistant.

Available in both single kits and 6,500mm long assemblies.

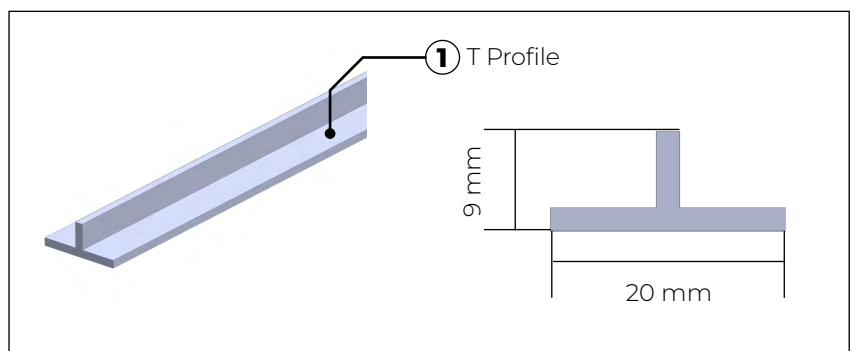
For frameless photovoltaic modules
Suitable for central assembly

ACCESSORIES

1 T PROFILE



Ex. 4 glass panels on bottom view



*The T-profile is positioned at the joint between panes of glass

Cód.	Dimensions	Finishes
6529	6100 mm	Raw
		RAL 5004 Matt

Un./packing
4 bars
4 bars

ALUMINIUM ALLOYS

Standard UNE EN 12020-1 - Extruded aluminium alloy 6063 and heat treatment T6 - Complies with Standard UNE-EN 573-3 - Standard UNE-EN 755-2.

Material: Aluminium

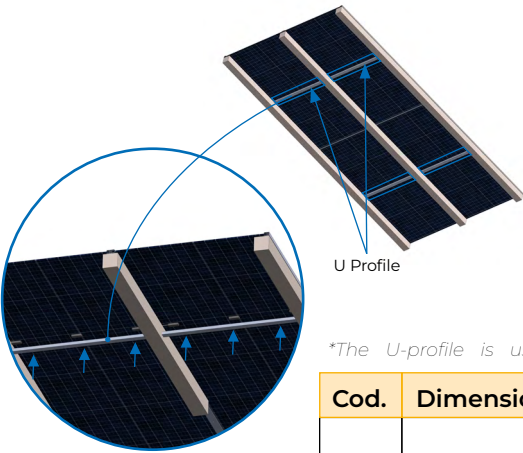
Material is supplied without screws

Certified by: Qualanod, Qualideco, Qualicoat

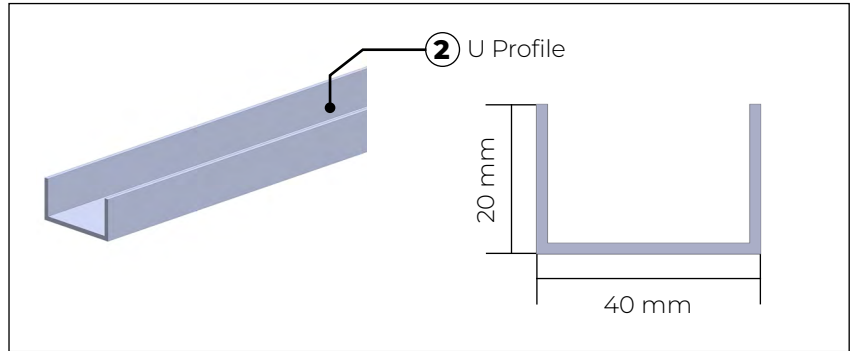


ACCESORIES

② U PROFILE⁽¹⁾



Ex. 4 glass panels on bottom view



*The U-profile is used to hide the wiring.

Cod.	Dimensions	Finishes
6768	6300 mm	Raw
		RAL 5004 Matt

Un./packing
4 bars
4 bars

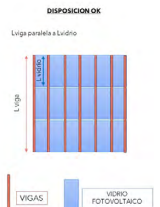
For frameless photovoltaic modules

Certified by: Qualanod, Qualideco, Qualicoat



Material: Aluminium

Material is supplied without screws



⁽¹⁾U-profiles can be optimally used when the positioning of the panels is as we have done for the e-Orbita LUZ roof. The structural beams on which the clamps and then the glass are supported must be parallel in the longitudinal direction of the photovoltaic glass (i.e. the panels with clamps are supported on the long side). The U-profiles conceal the joint boxes, but not the wiring. Consider the excess cable for correct installation.

PHOTOVOLTAIC GLASS



CLASS A - AGAINST FIRE (FIREPROOF)



HIGH POWER OUTPUT



HIGHER ENERGY GENERATION



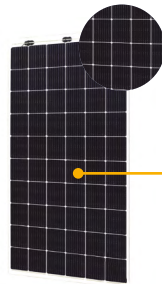
BIFACIAL SOLAR PANELS



30 YEAR WARRANTY

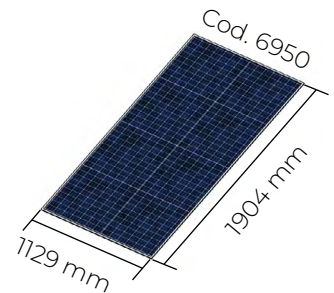


PERC CELL TECHNOLOGY WITH THE HIGHEST EFFICIENCY



450Wp energy harvesting by glass

Solar glass



Certified by: TÜV SUD, CQC, CSPI

Cod.	Glass dimensions	Description	Un. glasses
6951	1904x1129x8 mm	Photovoltaic glass pallet	35
6952			10*

*For orders of less than 10 glasses, these will be invoiced together with an additional 120€ for packaging.

PHOTOVOLTAIC SOLAR ROOF

e-Orbita LUZ takes advantage of solar energy to create self-sufficient spaces with a maximum energy collection capacity of 450Wp per solar glass.

We present an indicative list for standard configurations depending on the requested configuration.

Standard conditions	Options
<ul style="list-style-type: none"> - Colour white - Standard beam - Bifacial bifacial flame retardant photovoltaic glass - Free draining - With front gutter 	<ul style="list-style-type: none"> - All other RAL colours - Perimeter glass enclosure - Lighting - Channelled drainage



Example of wall configuration in HORECA channel



Example of island configuration in company car parking



Example of island configuration on a residential terrace



Example of wall-mounted configuration in a private garage

The prices included in this list are indicative

For other configurations, please consult

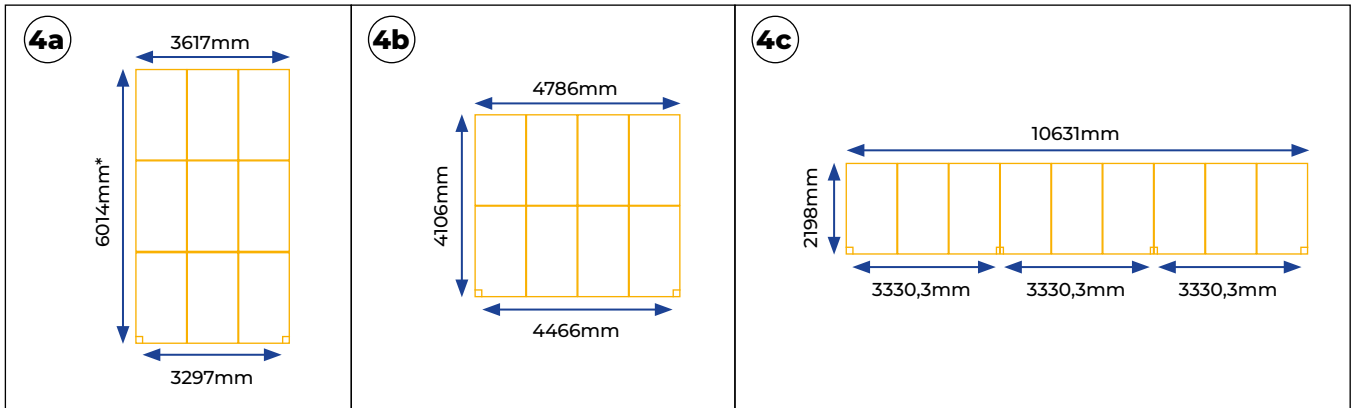
Certified by: Qualanod, Qualideco, Qualicoat



Standard configurations

① 4kW

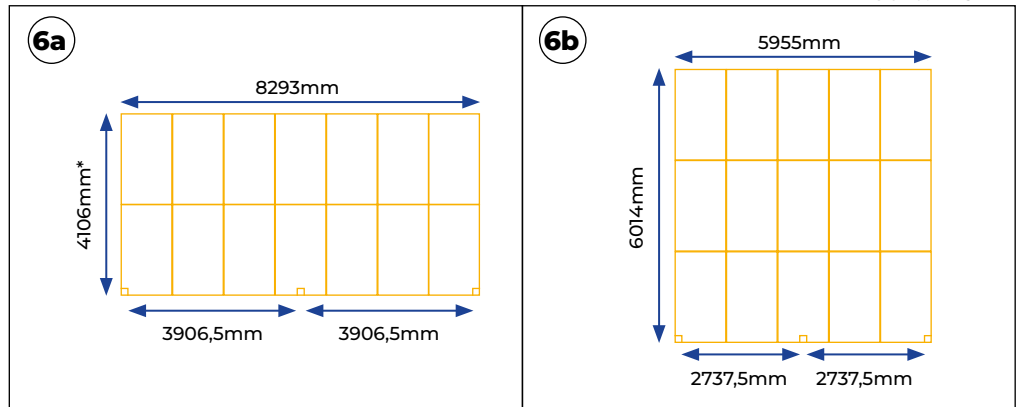
*Island: +125mm



Type	Max. peak power	N° panels
4a	3,96 kW	3x3 - 9 panels
4b	3,52 kW	4x2 - 8 panels
4c	3,96 kW	9x1 - 9 panels

② 6kW

*Island: +125mm



Type	Max. peak power	N° panels
6a	6,16 kW	7x2 - 14 panels
6b	6,6 kW	5x3 - 15 panels

For other configurations, please consult

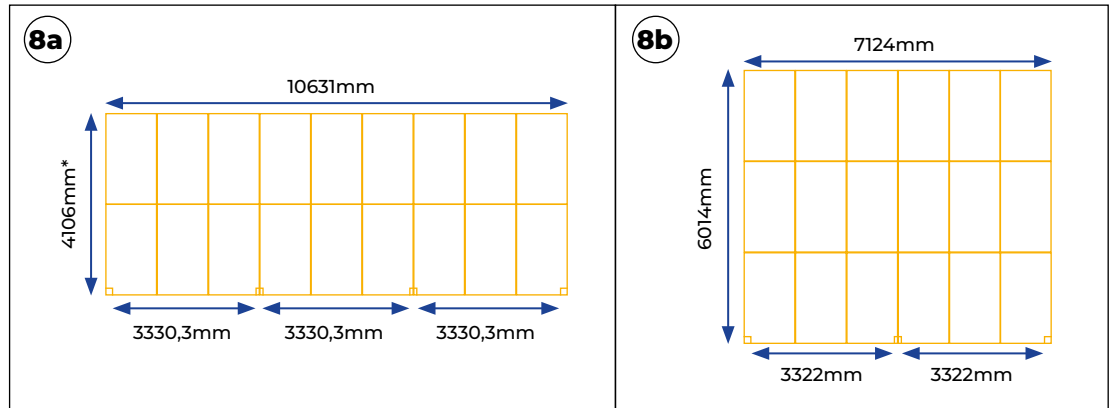
Certified by: Qualanod, Qualideco, Qualicoat



Standard configurations

3 8kW

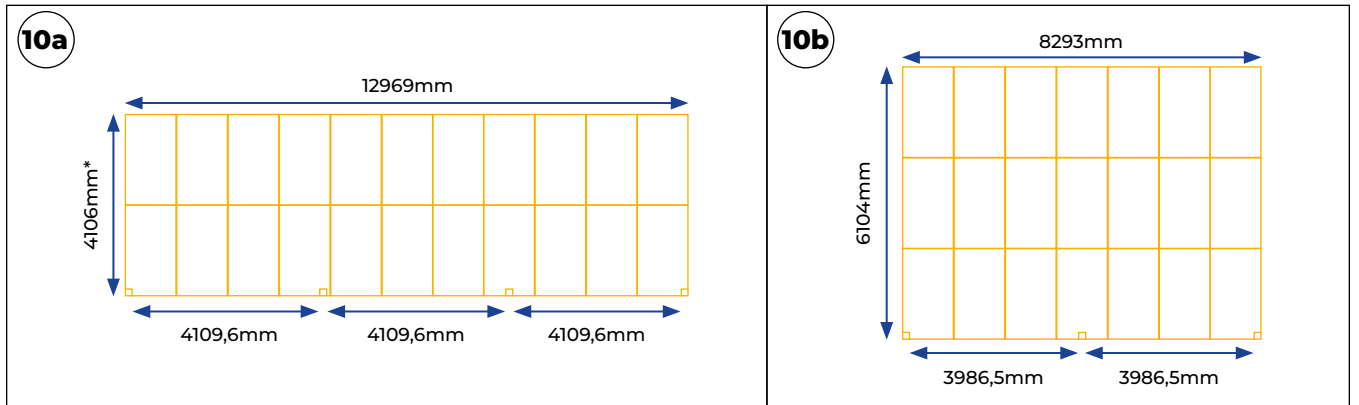
*Island: +125mm



Type	Max. peak power	N° panels
8a	7,92 kW	9x2 - 18 panels
8b	7,92 kW	6x3 - 18 panels

4 10kW

*Island: +125mm



Type	Max. peak power	N° panels
10a	9,68 kW	11x2 - 22 panels
10b	9,24 kW	7x3 - 21 panels

For other configurations, please consult

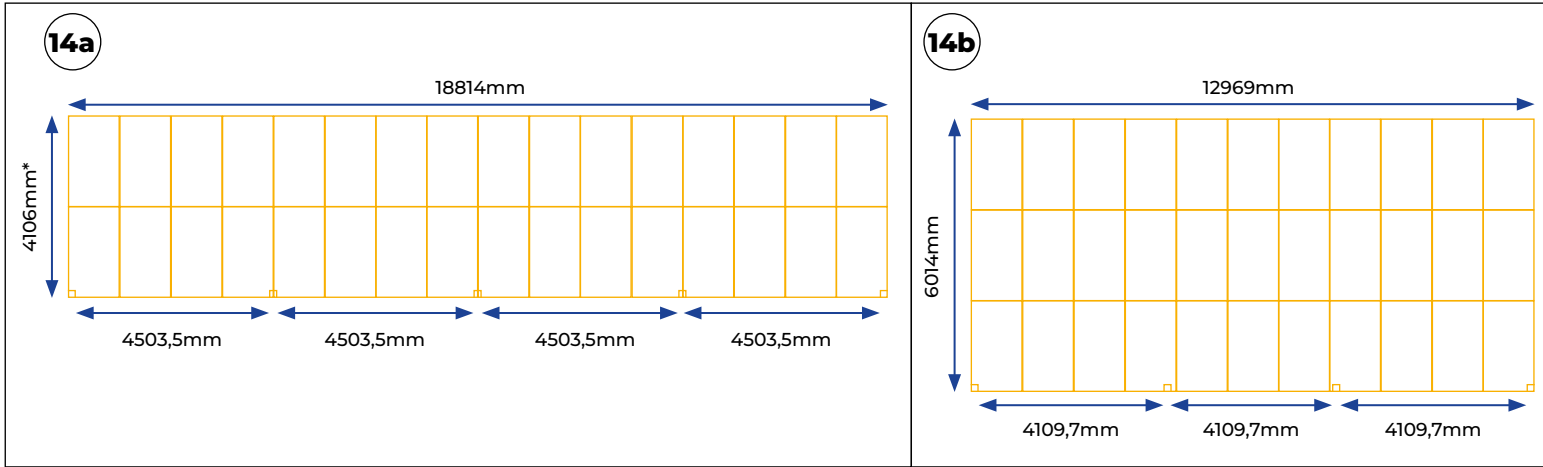
Certified by: Qualanod, Qualideco, Qualicoat



Standard configurations

5 14kW

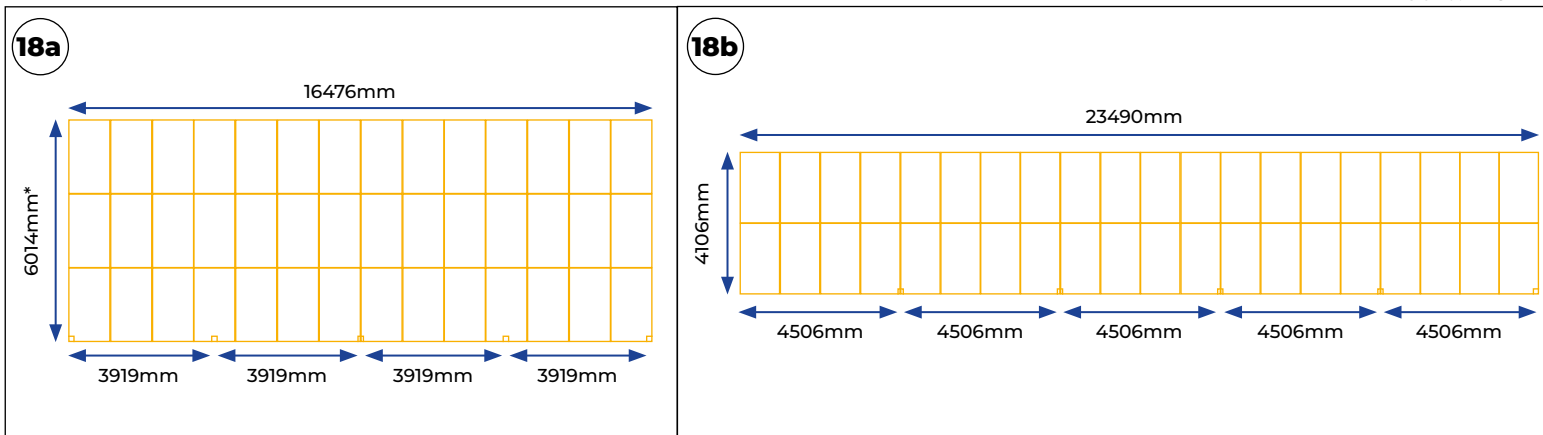
*Island: +125mm



Type	Max. peak power	N° panels
14a	14,08 kW	16x2 - 32 panels
14b	14,52 kW	11x3 - 33 panels

6 18kW

*Island: +125mm



Type	Max. peak power	N° panels
18a	18,48 kW	14x3 - 42 panels
18b	17,6 kW	20x2 - 40 panels

For other configurations, please consult

Certified by: Qualanod, Qualideco, Qualicoat





MADE IN SPAIN



C3 Systems, S.L. · C/ Ibi, 13 · Polígono Industrial Cachapets · 03330 Crevillente (Alicante) España · Telf. +34 966 286 186

c3systems@c3systems.es · www.c3systems.es



The purpose of this document is for commercial purpose. It does not constitute an authentic advertising offer in "strict sense". For the official offer, please contact C3 Systems S.L. in order to receive specific and personalized information that contains objective information regarding relevant characteristics which means that it will constitute an offer in a "strict sense". C3 Systems S.L. commits not to make misleading advertising by this means. To these effects, therefore, formal or numerical errors that could be found in the content of this document are not considered as misleading advertising, in particular regarding to the image accompanying in an illustrative way, and not contractual. In any case C3 Systems S.L. commits to correct it as soon as it becomes aware of such errors.