

To fill in by C3 Systems

Date _____ Order N°: _____

Name _____

City _____ Mobile _____

Reference: _____

Order Offer

GLASS TYPE AND FINISH

10 mm

FINISHED (WITH GLASS) Colourless

SEMI-FINISHED (WITHOUT GLASS) Others (indicate)

Dimensions (Free gap measure)

Width (mm) Height (mm)

ALUMINIUM COLOUR PROFILES

Matt Silver Anodised INOX

Panels Direction and Storing

Right Opening Left Opening

Hold Type Roof Frontal Wall

*See diagram

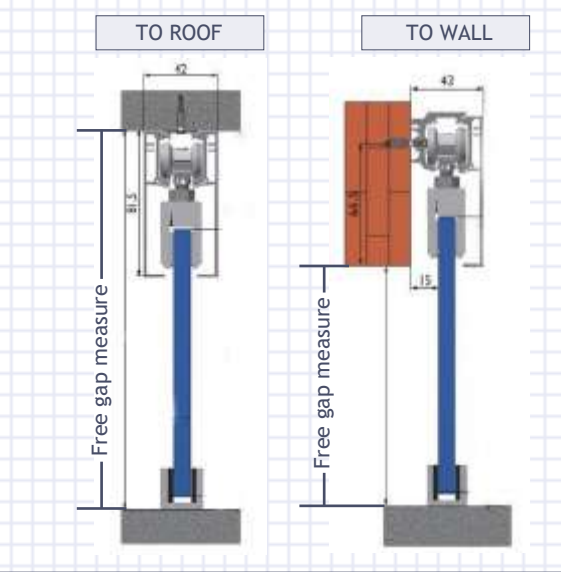
TRANSPORT & PACKAGING

Packed Include

Unpacked Pick personally

Do not cut profiles*

*Transport of packages larger than 4 m in the Iberian Peninsula or 3 m outside Spain will imply a surcharge in the total amount.



Type of systems

<input type="checkbox"/> Type M1 (1 mobile panel system)	<input type="checkbox"/> Type M1F (1 mobile panel and 1 fixed panel system)
<input type="checkbox"/> Type M2 (2 mobile panels system)	<input type="checkbox"/> Type M2F (2 mobile panels and 1 fixed panel system)
<input type="checkbox"/> Type M3 (3 mobile panels system)	<input type="checkbox"/> Type M3F (3 mobile panels and 1 fixed panel system)
<input type="checkbox"/> Type M4 (4 mobile panels system)	<input type="checkbox"/> Type M4F (4 mobile panels and 1 fixed panel system)

Lock and Drive

Handle with hook Ring Handle Lock

Opening device high

Allowing the manufacturer to decide opening device high

Mandatory!

If you want the selected drives aligned at the same height, you must expressly indicate this.

Note: Drive height can not be less than 265mm.

Accessories

Smooth Stop Kit 1 lateral Both laterals