

sliding glass enclosure

seeglass

without vertical profiles

run

New  
High-quality  
sliding  
system



*Creating usable spaces  
with unlimited views ...*

 **SystemS**<sup>®</sup>  
the open view company

SLIDING GLASS ENCLOSING SYSTEM WITHOUT VERTICAL PROFILES



It is an ideal glass enclosing solution for places where you do not want to invade the inside space, as it can be restaurants, terraces and commercial spaces. This system offers a possibility of moving panels, horizontally to one or both sides. When the first panel is opened or closed, thanks to specially designed panel caps, it pulls the rest of the panels, and the panels are moved as a unit.



## DOUBLE FUNCTION: INTERIOR SEPARATION AND EXTERIOR PROTECTION



Very easy installation without additional building work needed.

Panels are sliding on the top of the rails of the lower profile.



Possible construction unevenness is not a problem for the installation due to the guides and height adjustable bearings.



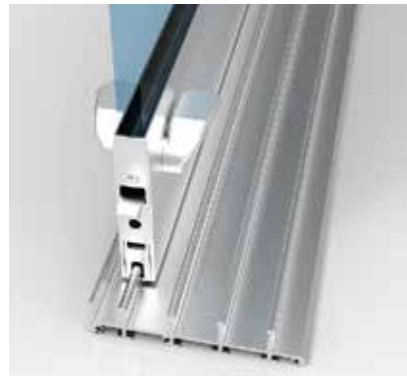
Lower bearings designed for a smooth panel movement.



## SPECIAL FEATURES



**PANEL REGULATION:**  
Fast and easy panel regulation.



**DOUBLE OPENING DEVICE:**  
Possibility of choosing inside/outside opening device.



**AVAILABLE CAP COLORS.**  
- Chrome Matt  
- White  
- Black  
- Silver



**OVERLAPPING COVERS:**  
Design of overlapped covers for central openings.

## COMPONENTS AND OPTIONS



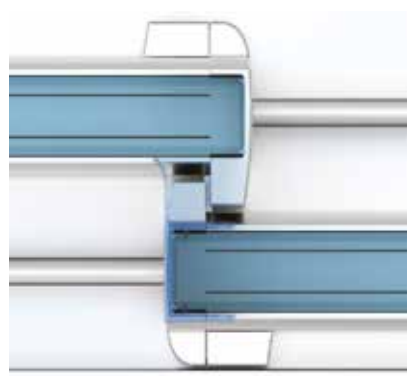
**LOCKS:**  
Possibility of including an outside lock on the system with the knob on the inside.



**AUTO BLOCKING:**  
Standard opening device that allows the opening only from the inside.



**EMBEDDED PROFILE:**  
Useful option for places when unobstructed access is needed.



**GASKETS:**  
For the improved leak-proof without affecting the aesthetic of the system, high quality PVC gaskets have been added.

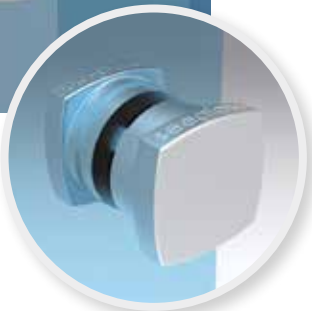
## OPENING DEVICES AVAILABLE

**New**  
STANDARD  
OPENING



**SIMPLE KNOB / DOUBLE FIXED KNOB:**  
Standard opening device for SG RUN system.

**FINISH:**  
CHROME Matt.



**RING HANDLE:**  
Round opening device.

**FINISH:**  
INOX.



**S-4 LOCK:**  
Lock with a key on the outside and knob on the inside.

**FINISH:**  
CHROME Matt or Polished Chrome.



**LOCK S-6:**  
Locking device with an option of having key hole on both sides, or key on the outside and knob on the inside.

**FINISH:**  
Chrome Matt or Polished Chrome



## EASY INSTALLATION:

Possible adjustment on bearings allows easy installation, assure proper panel movement.

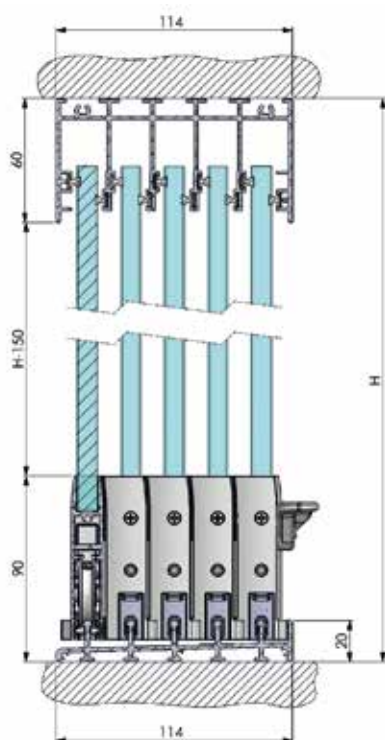


UP TO 5 mm  
REGULATION

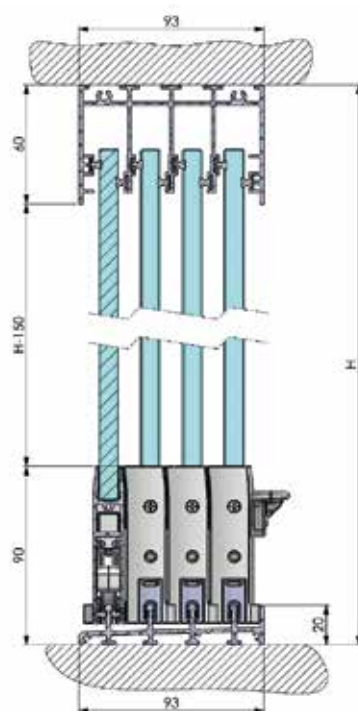


## SYSTEM DETAILS - SURFACE OPTION

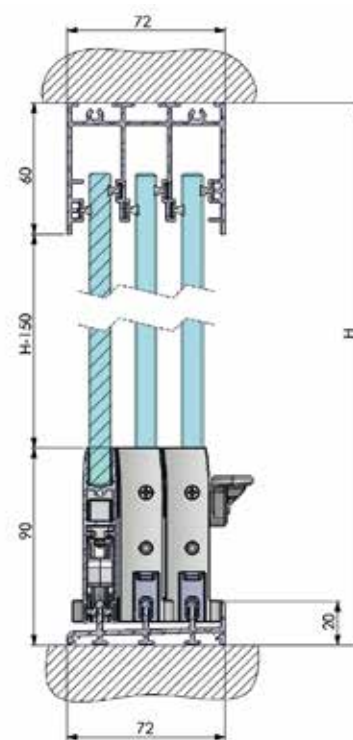
5 RAILS SECTION



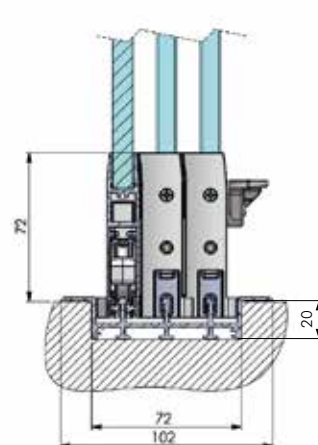
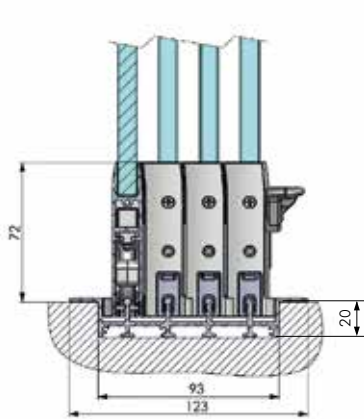
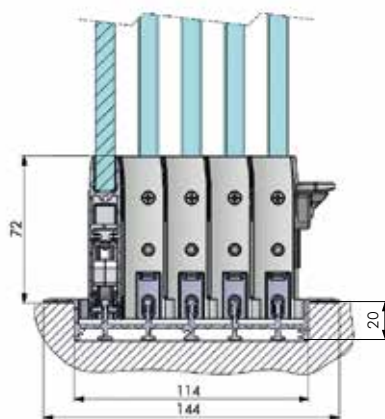
4 RAILS SECTION



3 RAILS SECTION



## SYSTEM DETAILS - EMBEDDED OPTION



### TECHNICAL FEATURES SEEGLASS RUN

Number of Rails	3	4	5
Type of lower rail	RAISED (20mm) , or EMBEDDED (20mm)		
Maximum Height of system	3000 mm		
Maximum width of system	NO LIMIT		
Maxim panel width	1100 mm*		
Type of glass	TEMPERED 10mm		
Glass grip	TAPED		
Opening Type	SLIDING		
Weight location profile	WEIGHT IN LOWER FRAME		
Available finishes	ANODIZED, RAL COLOUR AND WOOD EFFECT		

\* Depending on the height of system the maximum panel width can vary.

## SYSTEM DETAILS - SURFACE OPTION

Glass enclosing system **seeglass-Run** is entirely produced in SPAIN. All the components are designed and manufactured by C3 Systems S.L.

This product has been tested according to the European standards for waterproof and wind resistance.



**Seeglass-RUN** product has a **CE mark**, as we endorse the production properly sealed and signed.



**Seeglass-RUN** fulfils international requirements for aluminium powder coating **Qualanod**, **Qualideco** and **Qualicoat**.

Documento Nº 219894

**RESISTENCIA A LAS CARGAS DE VIENTO.**

Empresa: **C3 SYSTEM, S.L.**  
C/ Juan De Herrera nº 34, Parque Industrial  
03203 - Elche, Alicante.

Producto: **Cerramiento corredero.**

Modelo: **Serie: SEEGLASS RUN V2**

Fabricante: **C3 SYSTEM, S.L.**

Dimensiones (AnxAl): 2100 mm x 2100 mm

Material: **Aluminio 6063-T5 1503 A27High, 508**

Acristalamiento:  **Vidrio 18 mm insustanciable laminado PLEXTAL Transparente.**

Fecha de Ensayo: 05.08.2015

---

**Resistencia a la carga de viento**      **CLASE**

Organismo Notificado nº 1003

Documento Nº 219895

**ENSAYOS DE PERMEABILIDAD AL AIRE Y ESTANQUEIDAD AL AGUA**

Empresa: **C3 SYSTEM, S.L.**  
C/ Juan De Herrera nº 34, Parque Industrial.  
03203 - Elche, Alicante.

Producto: **Cerramiento corredero.**

Modelo: **SEEGLASS RUN V2.**

Dimensiones (AnxAl): 2100 mm x 2100 mm

Material: **Aluminio 6063-T5 1503 A27High, 508**

Acristalamiento:  **Vidrio 18 mm insustanciable laminado PLEXTAL Transparente.**

Fecha de Ensayo: 05.08.2015

---

**Permeabilidad al aire**      **CLASE 1**

**Estanqueidad al agua**      **CLASE 1A**

Organismo Notificado nº 1003



Finishes available in **RAL**, **Anodized** and **Wodden Imitation**.

**MADE IN SPAIN**



C3 Systems, S.L. · Juan de Herrera, 34 · Elche Parque Industrial · 03203 Elche (Alicante) España · Telf. +34 966 286 186 · Fax: +34 965 682 677  
c3systems@c3systems.es · www.c3systems.es · www.seeglass.es



The purpose of this document is to meet a commercial function. It does not constitute an authentic advertising offer in a "strict" sense. With a view to the training of the appropriate contract, please contact with C3SystemS, SL in order to offer you specific and personalized information that contains objective information regarding relevant characteristics which means that it will constitute an offer in a "strict" sense.

C3SystemS S.L. commits not to make misleading advertising by this means. To these effects, therefore, formal or numerical errors that could be found in the content of this document are not considered as misleading advertising, in particular regarding to the images accompanying in an illustrative way, and not contractual. In any case C3SystemS SL commits to correct it as soon as it becomes aware of such errors.